

# High amperage alternators with or without advanced alternator regulator

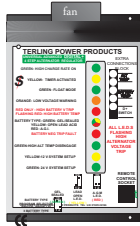
12 v 145 amp

GOOD LOW R.P.M. PERFORMANCE

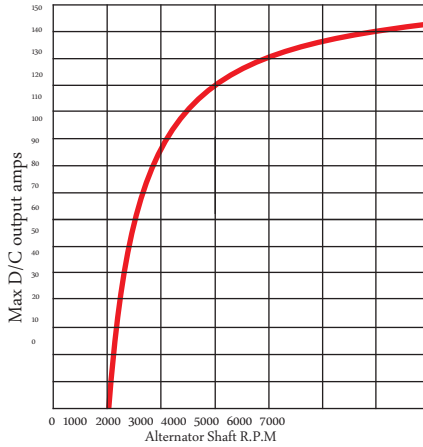


CS144 Delco

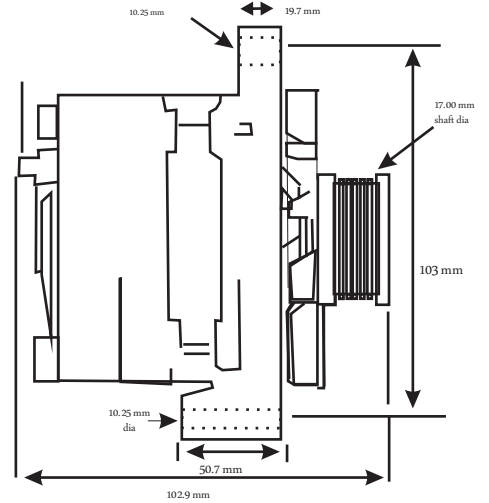
with or without  
the best  
advanced  
alternator on the  
market



PDAR  
DIGITAL 4 STAGE  
ADVANCED  
ALTERNATOR  
REGULATOR

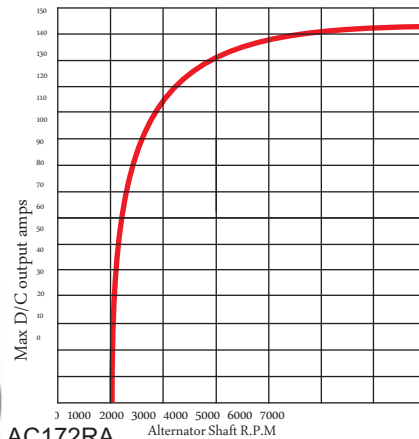


AI12140 12 v 140 AMP ALT WITH STANDARD REG  
AL12140PDAR 12 v 140 AMP ALT WITH DIGITAL ADVANCED REG



24 v 140 amp

GOOD LOW R.P.M. PERFORMANCE



AC172RA  
Bosch 0120 689 520  
Prestolite 1277640  
Equivalent product part numbers

AI24150 24 v 150 AMP ALT WITH STANDARD REG  
AL24150PDAR 24 v 150 AMP ALT WITH DIGITAL ADVANCED REG

